



TZ-6XP
系列/series
Strength Machine



TZ-6060

坐式下斜推胸训练器
Wide Chest Press

Machine Weight:165kg
Machine Size(L*W*H):1885*1257*1765mm



TZ-6061

肩部推举训练器
Shoulder Press

Machine Weight:145kg
Machine Size(L*W*H):1577*1263*1456mm



TZ-6062

坐式双向推胸训练器
Chest Press

Machine Weight:165kg
Machine Size(L*W*H):1950*1210*1672mm



TZ-6063

坐式高拉力训练器
Pull Down

Machine Weight:150kg
Machine Size(L*W*H):1760*1256*1922mm



TZ-6064

背肌后展训练器
Row

Machine Weight:137kg
Machine Size(L*W*H):1668*1397*1287mm



TZ-6065

坐式肩膊后展训练器
Low Row

Machine Weight:120kg
Machine Size(L*W*H):1315*1308*1686mm



TZ-6066

45°倒蹬机
45 Degree Leg Press

Machine Weight:215kg
Machine Size(L*W*H):2111*1467*1507mm



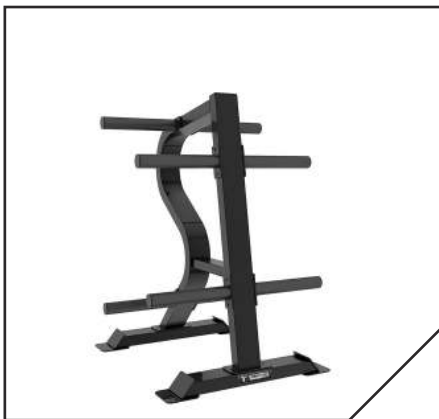
TZ-6067
坐式上斜推胸训练器
Incline Chest Press

Machine Weight:140kg
Machine Size(L*W*H):1535*1030*1640mm



TZ-6068
坐式提膝训练器
Calf Machine

Machine Weight:155kg
Machine Size(L*W*H):2070*1045*1668mm



TZ-6069
杠铃片架
Plate Tree

Machine Weight:65kg
Machine Size(L*W*H):1717*1200*1140mm



TZ-6070
后蹬训练器
Rear Kick

Machine Weight:140kg
Machine Size(L*W*H):1519*1138*1690mm



TZ-6071
T杆划船器
T Bar Rower

Machine Weight:109kg
Machine Size(L*W*H):1772*1037*1182mm

TZ-6072
三头下压训练器
Triceps Dip

Machine Weight:140kg
Machine Size(L*W*H):1560*1538*899mm





TZ-6073

**深蹲架
Power Rack**

Machine Weight:280kg

Machine Size(L*W*H):2235*1822*2470mm

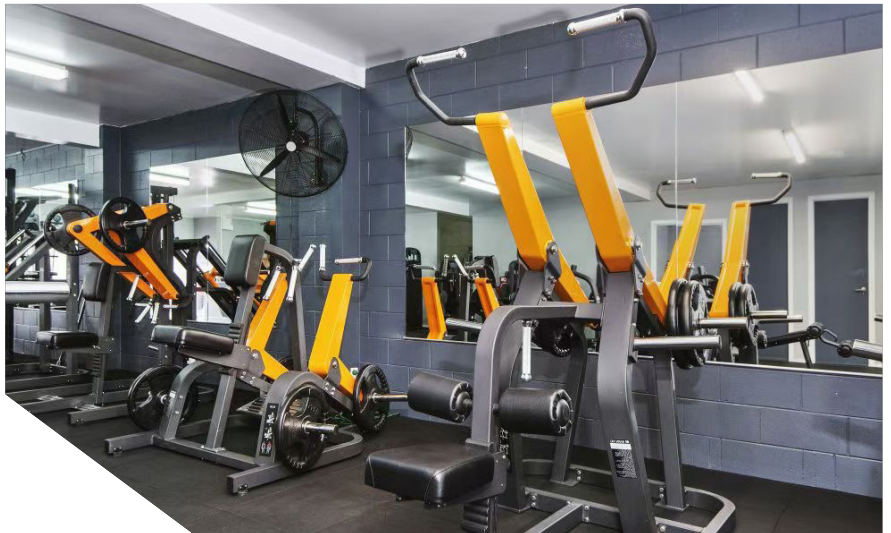


TZ-6074

**二头肌训练器
Biceps**

Machine Weight:148kg

Machine Size(L*W*H):1555*1284*953mm



TZ-6075

**立式屈腿训练器
Standing Leg Curl**

Machine Weight:145kg

Machine Size(L*W*H):1482*1182*1429mm



TZ-6077

**坐式伸展训练器
Leg Extension**

Machine Weight:165kg

Machine Size(L*W*H):1579*1278*1120mm



TZ-6078

**倒蹬机
Linear Leg Press**

Machine Weight:220kg

Machine Size(L*W*H):2694*1603*1575mm

TZ-6079

3D史密斯 3D Smith

Machine Weight:310kg

Machine Size(L*W*H):2342*1942*2213mm



TZ-6080

小飞鸟&深蹲综合训练器 Multi-Functional Smith Trainer

Machine Weight:500kg

Weight Stack:160kg

Machine Size(L*W*H):2342*1645*2366mm

